



180, 3rd Avenue, L'Islet, Quebec, G0R 2C0, CANADA
 Tel.: (418) 247-3947, 1-800-463-7043 Fax: (418) 247-7801
www.ouellet.com

INSTRUCTIONS "OAE" Series



WARNING

When using electrical appliances, basic precautions should always be taken to reduce the risk of fire, electrical shock and injury, including the following.

Read carefully these instructions before installation, operation of the heater. Failure to adhere to the instructions could result in fire, electric shock, serious personal injury, and death or property damage. Review frequently for continuing safe operation and instruction of future users, if necessary.

IMPORTANT INSTRUCTIONS

- 1- Read all instructions before installing or using this heater.
- 2- The installation must be executed by a qualified technician.
- 3- Wiring procedures and connections shall be in accordance with the national and local codes.
- 4- Disconnect all power supplies before working on any of the circuits.
- 5- Do not use to heat air containing combustible materials.
- 6- This heater is hot when in use. To avoid burns, do not let bare skin touch hot surfaces. Keep combustible materials, like furniture, pillows, bedding, papers, clothes, and curtains at least 5 ft. (153 cm) from the front of the heater and away from the side and rear.
- 7- Extreme caution is necessary when any heater is used by or near children or invalids and whenever the heater is left operating and unattended.
- 8- Do not operate any heater after it malfunctions. Disconnect power at service panel and have heater inspected by a reputable electrician before reusing.
- 9- Do not use outdoors.
- 10- Do not insert or allow foreign objects to enter any ventilation or exhaust opening as this may cause an electric shock or fire, or damage the heater.
- 11- Do not block air intakes or exhaust in any way whatsoever.
- 12- This heater has hot and arcing or sparking parts inside. Do not use it in areas where gasoline, paint, or flammable liquids are used or stored.
- 13- Use this heater only as described in this manual. Any other use not recommended by the manufacturer may cause fire, electric shock, or injury.
- 14- **AMERICAN VERSION ONLY:**
Model EO: This heater contains a single operation thermal fuse that turns the heater out of service if an internal component is excessively hot.

SAVE THESE INSTRUCTIONS

INS06-200301-11

INSTALLATION INSTRUCTIONS

CAUTION:

- This heater is hot when in use. To avoid burns, do not let bare skin touch hot surfaces. Keep combustible materials, like furniture, pillows, bedding, papers, clothes, and curtains at least 5 ft. (153 cm) from the front of the heater and away from the side and rear.

Minimum clearance to respect					
	Front (air outlet)	Under	Top	Sides	Back (air inlet)
CAN	36 in. 915 mm	24 in. 610 mm	3 13/16 in. 96 mm	5 in. 130 mm	6 in. 152 mm
USA	36 in. 915 mm	6 ft. 1.8 m	3 13/16 in. 96 mm	5 in. 130 mm	6 in. 152 mm

LOCATION OF HEATER:

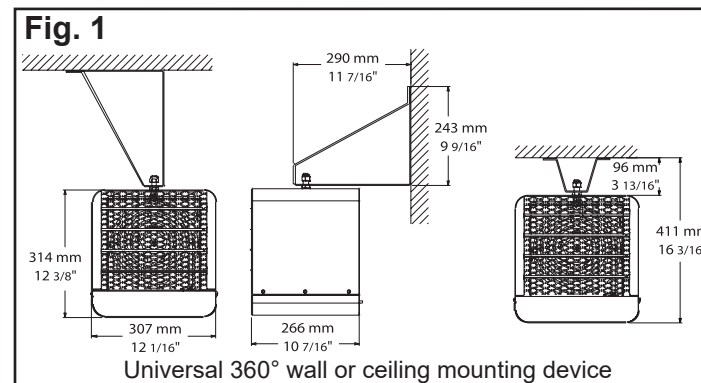
- 1- Install with the supplied brackets show in Fig. 1.
- 2- For best results, do not exceed a mounting height of 8 ft. (2.4 m) from the floor. **AMERICAN VERSION ONLY:** Do not install less than 6 ft. (1.8 m).
- 3- Direct discharge streams:
 - away from room occupants,
 - away from columns, posts, machinery and partitions,
 - parallel to outside walls,
 - along the windward side of buildings exposed to prevailing winds.
- 4- Small rooms require only one unit heater. In large rooms, arrange multiple units to provide perimeter circulation.

WHEN WALL THERMOSTAT IS USED:

Locate thermostat on interior wall or post (insulate from cold steel posts), away from cold drafts, internal heat sources and from heater discharge.

BUILT-IN THERMOSTAT:

- The thermostat should not be considered an infallible device in cases where maintaining a temperature is considered critical. Examples: Hazardous material storage, computer server room, etc. In these particular cases, it is imperative to add a monitoring system to avoid the consequences of a thermostat failure.
- Adjustment range without degree indication.



OPERATING INSTRUCTIONS

- 1- The heater must be properly installed before it is used.
- 2- Turn the power on at the circuit breaker panel.
- 3- Electronic thermostat:
 - Be sure to set it on the fan mode.
- 4- Built-in thermostat with control knob. To set thermostat at the desired temperature, follow these steps:
 - Set thermostat at maximum temperature (turn clockwise).
 - When the desired temperature is reached, turn the thermostat counter-clockwise slowly until you hear a click.
 - The thermostat will keep this room temperature.

OVERTEMPERATURE PROTECTION:

- The motor and the heater element are protected against overheating by an hi-limit temperature control with automatic reset.
- Cycling of the hi-limit temperature control is an indication of abnormal operation and should be corrected immediately.

AMERICAN VERSION ONLY:

Model EO: This heater contains a single operation thermal fuse that turns the heater out of service if an internal component is excessively hot.

MAINTENANCE INSTRUCTIONS

- 1- Once a year, remove the dust accumulation inside the heater using a vacuum cleaner or compressed air.
- 2- Note that the heater is ON even when the thermostat is on OFF position. Cleaning should be done while the heater is disconnected from the main service panel. Wait until the housing and heating element cool before performing maintenance. **NOT FOLLOWING THIS INSTRUCTION EXPOSES YOU TO ELECTRIC SHOCK.**
- 3- Any other servicing should be performed by a qualified technician.
- 4- Sealed and lubricated bearings. Also, dustproof motor housing.

WARRANTY

Please refer to the product sheet at www.ouellet.com.

Wiring diagram: Model EO

